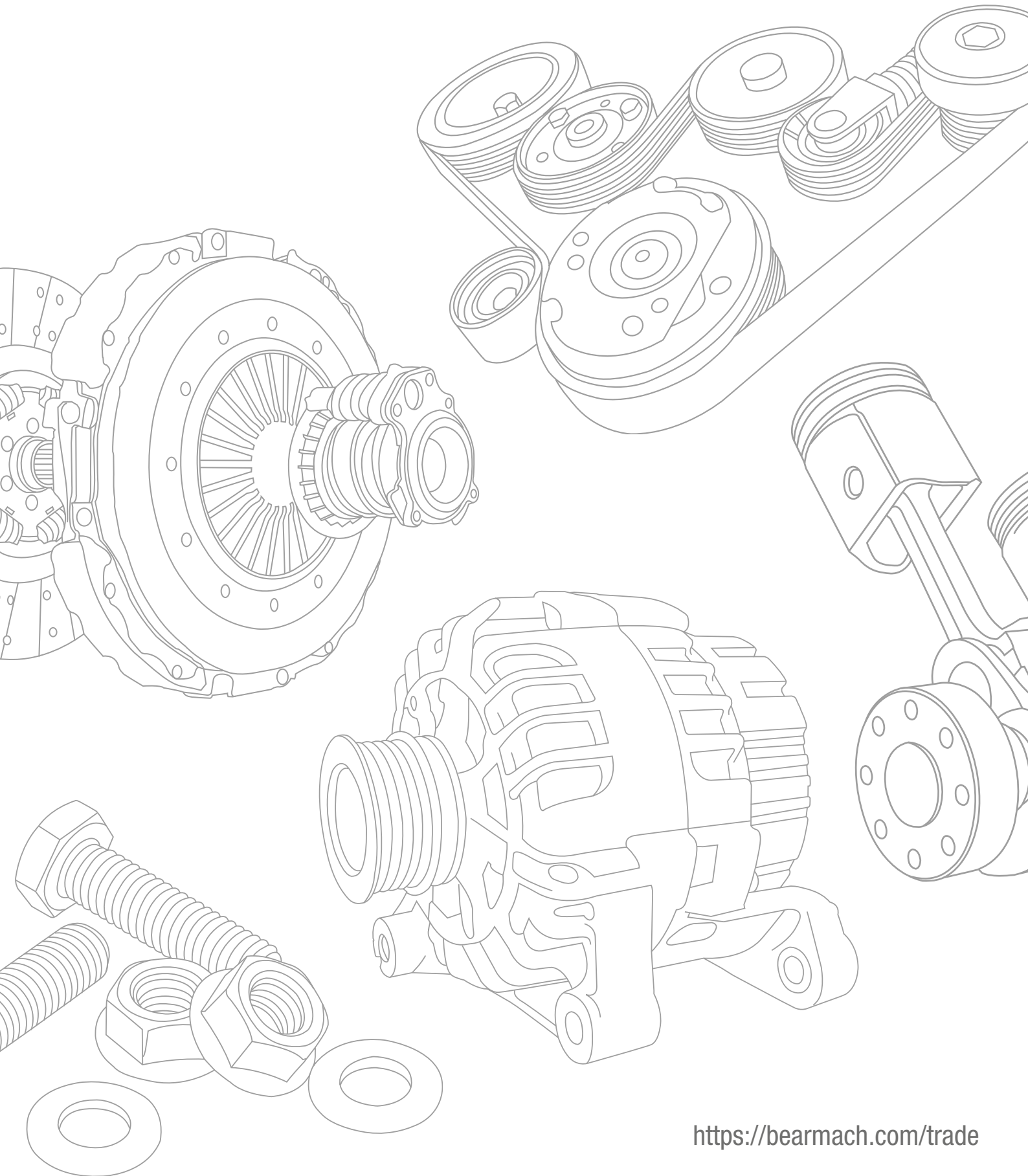


Est. UK1958
Bearmach

New Products 2020



<https://bearmach.com/trade>

Product Information

Bearthmach Wiper Blades

This economy range of Wiper Blades from Bearmach is cost-effective and owing to the original style blades of the vehicle - whether that be Flat Blade, Traditional Blade or Special Fit. We have matched each model of Land Rover to corresponding front and rear blade part numbers, all of which come with Bearmach's extended 3 Year Warranty!



BR 100007	Flat Blade	20"
BR 100010	Flat Blade	21"
BR 100012	Flat Blade	22"
BR 100013	Flat Blade	19"
BR 100014	Flat Blade	24"
BR 100016	Flat Blade	26"



BR 10000	Traditional Blade	10"
BR 100001	Traditional Blade	13"
BR 100002	Traditional Blade	14"
BR 100003	Traditional Blade	16"
BR 100004	Traditional Blade	17"
BR 100005	Traditional Blade	18"
BR 100006	Traditional Blade	19"
BR 100009	Traditional Blade	21"
BR 100011	Traditional Blade	22"
BR 100015	Traditional Blade	26"
BR 100020	Traditional Blade	16"



BR 100017	Special Fit (Rear)	14"
BR 100018	Special Fit (Rear)	12"
BR 100019	Special Fit (Rear)	13"



BR 100008	Special Fit	21"
-----------	-------------	-----

Suitable for the following vehicles	Year	Front D/S	Front P/S	Rear
Series 3	1971-1983	BR 10000	BR 10000	-
Defender	1983-2016	BR 100001	BR 100001	BR 100001
Discovery 1	1989 - 1998	BR 100005	BR 100005	BR 100002
Discovery 2	1998 - 2004	BR 100008	BR 100008	BR 100017
Discovery 3	2005 - 2009	BR 100012	BR 100012	BR 100020
Discovery 4	2010 - 2016	BR 100012	BR 100012	BR 100020
Discovery Sport	2015 onwards	BR 100016	BR 100007	BR 100018
Freelander 1	1996 - 2006	BR 100011	BR 100009	BR 100019
Freelander 2	2006 - 2014	BR 100014	BR 100007	BR 100002
Range Rover Sport	2005 - 2009	BR 100012	BR 100012	BR 100003
Range Rover Sport	2010 - 2013	BR 100012	BR 100012	BR 100003
Range Rover Sport	2014 onwards	BR 100014	BR 100007	BR 100003
Range Rover	1971 - 1986	BR 100005	BR 100005	BR 100005
Range Rover	1986 - 1991	BR 100005	BR 100005	BR 100005
Range Rover	1991 - 1994	BR 100005	BR 100005	BR 100005
Range Rover	1994 - 2001	BR 100011	BR 100011	BR 100006
Range Rover	2002 - 2009	BR 100015	BR 100015	BR 100005
Range Rover	2010 - 2012	BR 100015	BR 100015	BR 100005
Range Rover	2013 onwards	BR 100014	BR 100007	BR 100004
Range Rover Evoque	2012 onwards	BR 100014	BR 100010	BR 10000
Range Rover Velar	2017 onwards	BR 100016	BR 100013	-



Est. UK1958
Bearmach

ANR2858R

Cross Rod Eye End RHD



Est. UK1958
DELPHI

BR 1257C

Brake Disc Geomet (Pair)



Est. UK1958
Bearmach

FTC859AB

Drive Member and Nut H/Duty



Est. UK1958
Bearmach

LR049447

Cross Rod Eye End RHD



Est. UK1958
Bearmach

DMB500130

Windshield Washer Reservoir



Est. UK1958
Bearmach

LR038557

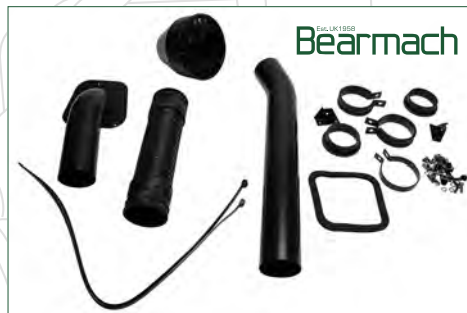
Anti Roll Bar Bush



Est. UK1958
Bearmach

LR091526

Front LH Door Latch



Est. UK1958
Bearmach

BA 2123ARCLH

Raised Air Intake With Roll Cage



Est. UK1958
Bearmach

LR091525

Front RH Door Latch



Est. UK1958
Bearmach

LR091351

Rear LH Door Latch



Est. UK1958
Bearmach

BA 3911

Wing Side Vent RH Polished S/S



Est. UK1958
Bearmach

BA 3910

Wing Side Vent RH Brushed S/S



BFA 6002

Camber Bolt Kit One Strut



BA 2238

Air To Coil Conversion Kit



BA 2123ARCRH

Raised Air Intake With Roll Cage



BA 10700

Turbo Hose Kit (200TDi)



BA 10701

Turbo Hose Kit (300TDi)



BA 10702

Turbo Hose Kit (2.5L TD5)



BA 10703

Turbo Hose Kit (2.0L TD4)



BA 10704

Turbo Hose Kit (2.4L TD4)



BA 10705

Turbo Hose Kit (2.7 TDV6)



BA 10706

Turbo Hose Kit (2.2L TD4)



BA 10707

Turbo Hose Kit (2.5L TD5)



BA 10708

Turbo Hose Kit (2.2L TD4)



Est. UK 1958
Bearmach

BA 10709

Turbo Hose Kit (2.2L TD4)



Est. UK 1958
Bearmach

BA 10710

Turbo Hose Kit (3.6L TDV8)



Est. UK 1958
Bearmach

BA 10711

Turbo Hose Kit (3.6L TDV8)



Est. UK 1958
Bearmach

BA 10712

Turbo Hose Kit (2.0L TD4)



Est. UK 1958
Bearmach

BA 10750

Coolant Hose Kit (200TDI)



Est. UK 1958
Bearmach

BA 10751

Coolant Hose Kit (300TDI)



Est. UK 1958
Bearmach

BA 10752

Coolant Hose Kit (2.5L TD5)



Est. UK 1958
Bearmach

BA 10753

Coolant Hose Kit (300TDi)



Est. UK 1958
Bearmach

BA 10754

Coolant Hose Kit (200TDi)



Est. UK 1958
Bearmach

BA 10755

Coolant Hose Kit (300TDi)



Est. UK 1958
Bearmach

BA 10756

Coolant Hose Kit (2.5L TD5)



Est. UK 1958
Bearmach

BA 10757

Coolant Hose Kit (2.5L TD5)



BA 10758

Coolant Hose Kit (2.4L TD4)



BA 10759

Coolant Hose Kit (2.4L TD4)



BA 10760

Coolant Hose Kit (2.5L TD5)

Part No	Description	Brand	Suitable for the following vehicle applications
ANR2858R	Cross Rod Eye End RHD	BEARMACH	NINETY, ONE TEN Defender 90, 110, 130 Defender PUMA 90, 110, 130
BR 1257C	Brake Disc Geomet (Pair)	DELPHI	Defender 90, 110, 130 Defender PUMA 90, 110, 130 Discovery 1 Range Rover Classic
FTC859AB	Drive Member and Nut H/Duty	BEARMACH	Defender 90, 110, 130 Defender PUMA 90, 110, 130 Discovery 1 Range Rover Classic
LR049447	Cross Rod Eye End RHD	BEARMACH	Defender PUMA 90, 110, 130
DMB500130	Windshield Washer Reservoir	BEARMACH	Defender 90, 110, 130 Defender PUMA 90, 110, 130
LR038557	Anti Roll Bar Bush	BEARMACH	Range Rover L405 Discovery 5 L462
LR091526	Front LH Door Latch	BEARMACH	Range Rover Sport L320 Discovery 4 L319 Range Rover Evoque L538
BA 2123ARCLH	Raised Air Intake With Roll Cage LH	BEARMACH	Defender 90, 110, 130 Defender PUMA 90, 110, 130
LR091525	Front RH Door Latch	BEARMACH	Range Rover Sport L320 Discovery 4 L319 Range Rover Evoque L538
LR091351	Rear LH Door Latch	BEARMACH	Range Rover Sport L320 Discovery 4 L319 Range Rover Evoque L538
BA 3911	Wing Side Vent RH Polished S/S	BEARMACH	Defender 90, 110, 130
BA 3910	Wing Side Vent RH Brushed S/S	BEARMACH	Defender 90, 110, 130
BFA 6002	Camber Bolt Kit One Strut	POWERFLEX	Range Rover L322 Freelander 1 L314
BA 2238	Air To Coil Conversion Kit	DUNLOP	Discovery 4 L319
BA 2123ARCRH	Raised Air Intake With Roll Cage RH	BEARMACH	Defender 90, 110, 130 Defender PUMA 90, 110, 130

Part Number	Product	Brand	Suitable for the following vehicle applications	Suitable for the following vehicle fitments
BA 10700	Silicone Turbo Hose Kit Blue (4 hose kit)	BEARMACH	Defender 90, 110, 130	All Models 200TDi
BA 10701	Silicone Turbo Hose Kit Blue (3 hose kit)	BEARMACH	Defender 90, 110, 130	All Models 300TDi
			Discovery 1	All Models 300TDi
BA 10702	Silicone Turbo Hose Kit Blue (3 hose kit)	BEARMACH	Defender 90, 110, 130	All Models 2.5L TD5
BA 10703	Silicone Turbo Hose Kit Blue (Intercooler to inlet manifold/Turbo) (3 hose kit)	BEARMACH	Freelander 1 L314	All Models 2.0L TD4
BA 10704	Silicone Turbo Hose Kit Blue (2 hose kit)	BEARMACH	Defender PUMA 90, 110, 130	All Models 2.4L TD4 Puma
BA 10705	Silicone Turbo Hose Kit Blue (3 hose kit)	BEARMACH	Range Rover Sport L320	All Models 2.7 TDV6
			Discovery 3 L319	All Models 2.7 TDV6
			Discovery 4 L319	All Models 2.7 TDV6
BA 10706	Silicone Turbo Hose Kit Blue (3 hose kit)	BEARMACH	Defender PUMA 90, 110, 130	All Models 2.2L TD4 Puma to (V)BA000001
BA 10707	Silicone Turbo Hose Kit Blue (4 hose kit)	BEARMACH	Discovery 2 L318	All Models 2.5L TD5
BA 10708	Silicone Turbo Hose Kit Blue (2 hose kit)	BEARMACH	Freelander 2 L359	All Models 2.2L TD4
BA 10709	Silicone Turbo Hose Kit Blue (2 hose kit)	BEARMACH	Defender PUMA 90, 110, 130	All Models 2.2L TD4 Puma from (V)CA000001
BA 10710	Silicone Turbo Hose Kit Blue (6 hose kit)	BEARMACH	Range Rover Sport L320	All Models 3.6L TDV8 to 2013
BA 10711	Silicone Turbo Hose Kit Blue (6 hose kit)	BEARMACH	Range Rover L322	All Models 3.6L TDV8 to 2012
BA 10712	Silicone Turbo Hose Kit Blue (Turbo Top/Top Intake) (2 hose kit)	BEARMACH	Freelander 1 L314	All Models 2.0L TD4
BA 10750	Silicone Coolant Hose Kit Blue (3 hose kit)	BEARMACH	Discovery 1	All Models 200TDI to (V)LA081991
BA 10751	Silicone Coolant Hose Kit Blue (3 hose kit)	BEARMACH	Discovery 1	All Models 300TDI from (V)MA081992
BA 10752	Silicone Coolant Hose Kit Blue (Includes: Top Hose Only)	BEARMACH	Discovery 2 L318	All Models 2.5L TD5 Top Hose Only
BA 10753	Silicone Coolant Hose Kit Blue (3 hose kit)	BEARMACH	Defender 90, 110, 130	All Models 300TDi
			Discovery 1	All Models 300TDI from (V)MA081992
BA 10754	Silicone Coolant Hose Kit Blue (6 hose kit)	BEARMACH	Defender 90, 110, 130	All Models 200TDi
BA 10755	Silicone Coolant Hose Kit Blue (Includes: Top/Bottom and Water Pump Hose)	BEARMACH	Defender 90, 110, 130	All Models 300TDi
BA 10756	Silicone Coolant Hose Kit Blue (Includes: Top Hose Only)	BEARMACH	Defender 90, 110, 130	All Models 2.5L TD5 Top Hose Only
BA 10757	Silicone Coolant Hose Kit Blue (Includes: Water Hose x2)	BEARMACH	Defender 90, 110, 130	All Models 2.5L TD5
BA 10758	Silicone Coolant Hose Kit Blue (5 hose kit)	BEARMACH	Defender PUMA 90, 110, 130	All Models 2.4L TD4 Puma
BA 10759	Silicone Coolant Hose Kit Blue (6 hose kit)	BEARMACH	Defender PUMA 90, 110, 130	All Models 2.4L TD4 Puma
BA 10760	Silicone Coolant Hose Kit Blue (Includes: Full coolant Kit) (7 hose kit)	BEARMACH	Discovery 2 L318	All Models 2.5L TD5

New Products for January 2020



CAR-004

Carling Blanking Plug



CAR-005

Carling 3- Gang Switch Mount



CAR-007

Carling Single Switch Mount



CAR-008

Carling Switch Tool



MUD-0001

MUD Seat Rails



MUD-0002

MUD Defender Console



MUD-0003

MUD Defender Console



MUD-0009

MUD 90 Side Panel



MUD-0009-N4

MUD 90 Side Panel (With Nets)



MUD-0011-B

MUD Rear Door Trim (Black)



MUD-0011-G

MUD Rear Door Trim (Grey)



MUD-0013

MUD Tunnel Tray (RHD)

New Products for January 2020



MUD-0013-LHD
MUD Tunnel Tray (LHD)



MUD-0020
MUD Puma Heater Deflector



MUD-0032
MUD Rear Speaker Panel



MUD-0034
MUD 110 Utility Panel



MUD-0038-L
MUD Armrest (LH)



MUD-0038-R
MUD Armrest (RH)



MUD-0063
MUD Carling DIN Mount (6 gang)



MUD-0064
MUD A-Pillar Trims



MUD-0067-G
MUD Puma Pod 2 (Gloss)



MUD-0067-M
MUD Puma Pod 2 (Matt)

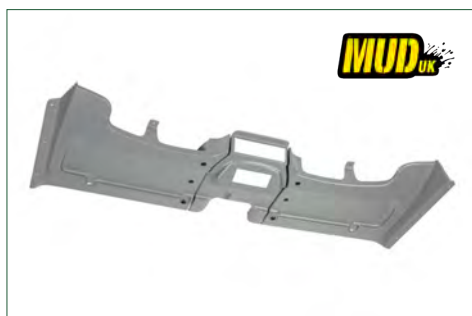


MUD-0071
MUD NAS Rear Speaker Panel



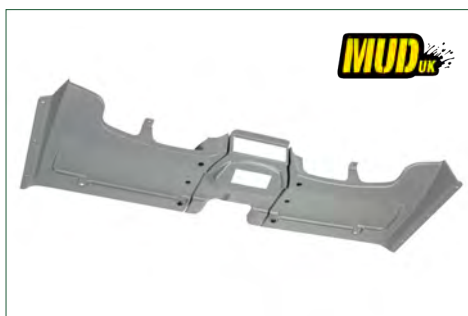
MUD-0071-B
MUD NAS Rear Speaker Panel Blank

New Products for January 2020



MUD-DRC-B

MUD Roof Console (Black)



MUD-DRC-G

MUD Roof Console (Grey)



*For illustrative purposes only

MUD123WRMV

MUD LED Interior Lamp (Grey)



MUD123WRMV-B

MUD LED Interior Lamp (Black)



*IMAGE SHOWN FOR ILLUSTRATIVE PURPOSES ONLY

Carling Switches

Ask your Account Manager for part numbers



ANR3713G

Galvanised Gearbox Crossmember



STC8652

Front Right Hand Chassis Leg



STC8653

Front Left Hand Chassis Leg

New Products for January 2020

MUD				
Part No	Description	Brand	Suitable for the following vehicle applications	Suitable for the following vehicle fitments
CAR-004	MUD Carling Switch Blanking Plug	MUD	Universal	Universal
CAR-005	MUD Carling 3-Gang Switch Mount	MUD	Universal	Universal
CAR-007	MUD Carling Single Switch Mount	MUD	Universal	Universal
CAR-008	MUD Seat Rails	MUD	Universal	Universal
MUD-0001	MUD Seat Rails	MUD	Defender 90, 110, 130	All Models Post 1986
			Defender PUMA 90, 110, 130	All Models
Tested according to NHTSA 571.207 standard 207. Designed to fit underneath your existing seat frames. Extra legroom and extra comfort.				
MUD-0002	MUD Centre Console	MUD	Series 3 88"	All Models
			Series 3 109"	All Models
			Defender 90, 110, 130	All Models Pre 1999
MUD Console will fit both Right Hand Drive and Left Hand Drive. Moulded from tough ABS plastic. Each MUD Console comes complete with: steel mounting frame including end-plates and all fixings required.				
MUD-0003	MUD Centre Console	MUD	Defender 90, 110, 130	All Models Post 1999
MUD-0009	MUD 90 Side Panel	MUD	Defender 90	All Hardtop Models
			Defender PUMA 90	All Hardtop Models
MUD-0009-N4	MUD 90 Side Panel (with Nets)	MUD	Defender 90	All Hardtop Models
			Defender PUMA 90	All Hardtop Models
MUD-0011-B	MUD Rear Door Trim Black	MUD	Defender 90, 110, 130	All Models Pre 2002
MUD-0011-G	MUD Rear Door Trim Grey	MUD	Defender 90, 110, 130	All Models Pre 2002
MUD-0013	MUD Tunnel Tray (RHD)	MUD	Defender 90, 110, 130	All Models With R380 and LT77 gearboxes RHD
MUD Tunnel Tray designed to fit on top of the transmission tunnel of all Defenders fitted with the R380 and LT77 gearbox (300Tdi and Td5 models)				
MUD-0013-LHD	MUD Tunnel Tray (LHD)	MUD	Defender 90, 110, 130	All Models With R380 and LT77 gearboxes LHD
MUD Tunnel Tray designed to fit on top of the transmission tunnel of all Defenders fitted with the R380 and LT77 gearbox (300Tdi and Td5 models)				
MUD-0020	MUD Heater Deflector	MUD	Defender PUMA 90, 110, 130	All Models
MUD-0032	MUD Rear Speaker Panel	MUD	Defender 90, 110, 130	All Hardtop Models
			Defender PUMA 90, 110, 130	All Models Except with stepped rear bodytub profile
Designed so you can install a larger 130mm (5.25in) speaker into the rear body corner of the Land Rover Defender. Standard Defender speakers are 100mm (4in) which both restricts the speaker performance and limits your choice of aftermarket speaker upgrade.				
MUD-0034	MUD 110 Utility Panel	MUD	Defender 110	All Hardtop Models
			Defender 90	All Hardtop Models
MUD-0038-L	MUD Armrest Left Hand	MUD	Defender 90, 110, 130	All Models
			Defender PUMA 90, 110, 130	All Models
It simply slides into position between the Defender door trim and the window glass to create a conveniently placed self-supporting arm rest for those longer journeys behind the wheel.				
MUD-0038-R	MUD Armrest Right Hand	MUD	Defender 90, 110, 130	All Models
			Defender PUMA 90, 110, 130	All Models
MUD-0063	MUD Carling Switch DIN Mount (6 gang)	MUD	Universal	Universal
MUD-0064	MUD A-Pillar Trims	MUD	Defender 90, 110, 130	All Models (Non Folding Windscreen)
			Defender PUMA 90, 110, 130	All Models
MUD-0067-G	MUD Puma Pod 2 (Gloss)	MUD	Defender 90, 110, 130	All Models
			Defender PUMA 90, 110, 130	All Models

*Please check fitment before purchase

MUD				
Part No	Description	Brand	Suitable for the following vehicle applications	Suitable for the following vehicle fitments
Specifically for the top of the Tdci or Puma post-2007 dashboard. Provides room for six additional switches to control your accessories. Puma Pod 2 accepts the factory style switches.				
MUD-0071	MUD NAS Rear Speaker Panel	MUD	Defender 90	NAS Spec vehicles
MUD-0071-B	MUD NAS Rear Speaker Panel Blank	MUD	Defender 90	NAS Spec soft top vehicles
MUD-DRC-B	MUD Roof Console (Black)	MUD	Defender 90, 110, 130	All models without sunroof
			Defender PUMA 90, 110, 130	All models without sunroof
Roof Console fits all Defenders except sunroof equipped models. Does not require removal or cutting of the headlining or sun visors.				
MUD-DRC-G	MUD Roof Console (Grey)	MUD	Defender 90, 110, 130	All models without sunroof
			Defender PUMA 90, 110, 130	All models without sunroof
Roof Console fits all Defenders except sunroof equipped models. Does not require removal or cutting of the headlining or sun visors.				
MUD123WRMV	MUD LED Interior Lamp (Grey)	MUD	Defender 90, 110, 130	All Models
			Defender PUMA 90, 110, 130	All Models
LED interior lamp replacement. 100% British designed and manufactured product. LED technology to provide 18x more usable light than the traditional festoon bulb with a rating of 228 lumens is 400% brighter than the factory lamp.				
MUD123WRMV-B	MUD LED Interior Lamp (Black)	MUD	Defender 90, 110, 130	All Models
			Defender PUMA 90, 110, 130	All Models
LED interior lamp replacement. 100% British designed and manufactured product. LED technology to provide 18x more usable light than the traditional festoon bulb with a rating of 228 lumens is 400% brighter than the factory lamp.				

BEARMACH				
Part No	Description	Brand	Suitable for the following vehicle applications	Suitable for the following vehicle fitments
ANR3713G	Galvanised Gearbox Crossmember	BEARMACH	Defender 90, 110, 130	All Models From (V)LA932672 to WA159806
STC8652	Front Right Hand Chassis Leg	BEARMACH	Defender 90, 110, 130	All Models
			Defender PUMA 90, 110, 130	All Models
STC8653	Front Left Hand Chassis Leg	BEARMACH	Defender 90, 110, 130	All Models
			Defender PUMA 90, 110, 130	All Models